

DUCTILE IRON GATE VALVE FLANGED PN16 DIN3202-1 F4 STAINLESS STEEL SEAT

Ductile iron gate valve with stainless steel seat flanged PN10/16 full bore for opening/closing networks of water, water treatment and heating.

Outside screw stem, rising stem and non rising handwheel.

Graphite packing and bonnet gasket.



Lloyd's
Register
PED/2014/68/UE



Size : DN50 to DN300
Connection: Flanges RF PN10/16
Min Temperature : -10°C
Max Temperature : +180°C
Max Pressure : 16 Bars
Specifications : Rising stem and non rising handwheel
Stainless steel stem and seat
Outside screw stem
Full bore

Materials : Ductile iron body EN GJS-500-7

DUCTILE IRON GATE VALVE FLANGED PN16 DIN3202-1 F4 STAINLESS STEEL SEAT

SPECIFICATIONS :

- Single solid wedge
- Oblique seat
- Graphite packing
- Full bore
- Rising stem and non rising handwheel
- Stainless steel stem
- Stainless steel seat
- Flanges R.F. PN16
- Alkyde painting RAL 7011 grey color, 90 µm thickness for body
- Painting RAL 6032 green color for handwheel

USE :

- For water, water treatment, heating
- Min and max Temperature Ts : - 10°C to + 180°C
- Max Pressure Ps : 16 bars

RANGE :

- Ductile iron body flanged R.F. PN16 Ref. 159 from DN 40 to DN 300

TORQUE VALUES (Nm without safety coefficient) :

DN	40	50	65	80	100	125	150	200	250	300
Torque (Nm)	55	55	55	60	85	115	125	135	192	192

LEAKAGE RATE (WITH WATER AT 20°C) :

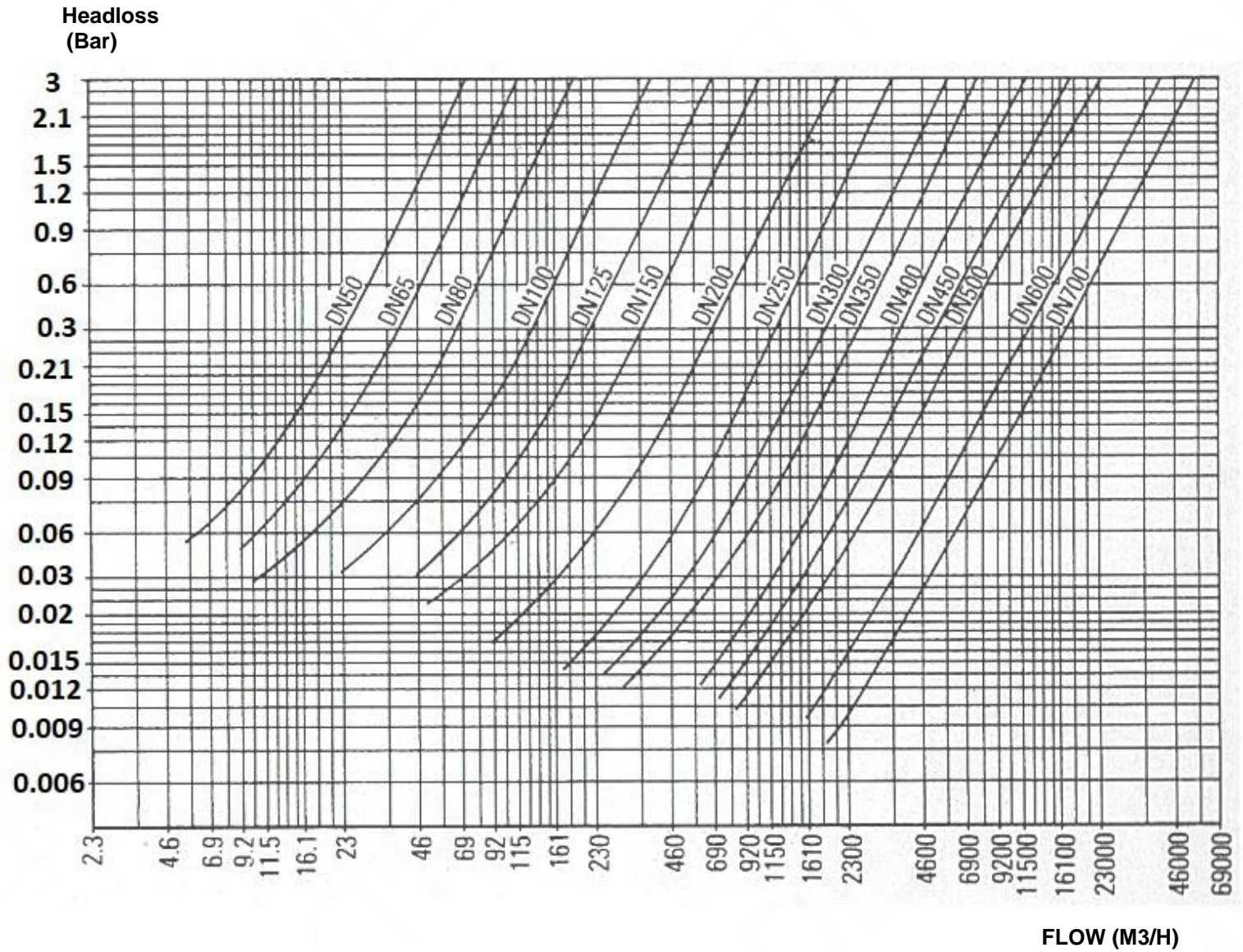
DN	Leakage rate (mm ³ /s)
40	0.4
50	0.5
65	0.65
80	0.80
100	1.00
125	1.25
150	1.50
200	2.00
250	2.50
300	3.00

NUMBER OF CYCLES TO CLOSE OR OPEN THE VALVE :

DN	40	50	65	80	100	125	150	200	250	300
Number of cycles	13	15.5	19.3	23.5	29	35.3	33.3	43.6	53.6	65

DUCTILE IRON GATE VALVE FLANGED PN16 DIN3202-1 F4 STAINLESS STEEL SEAT

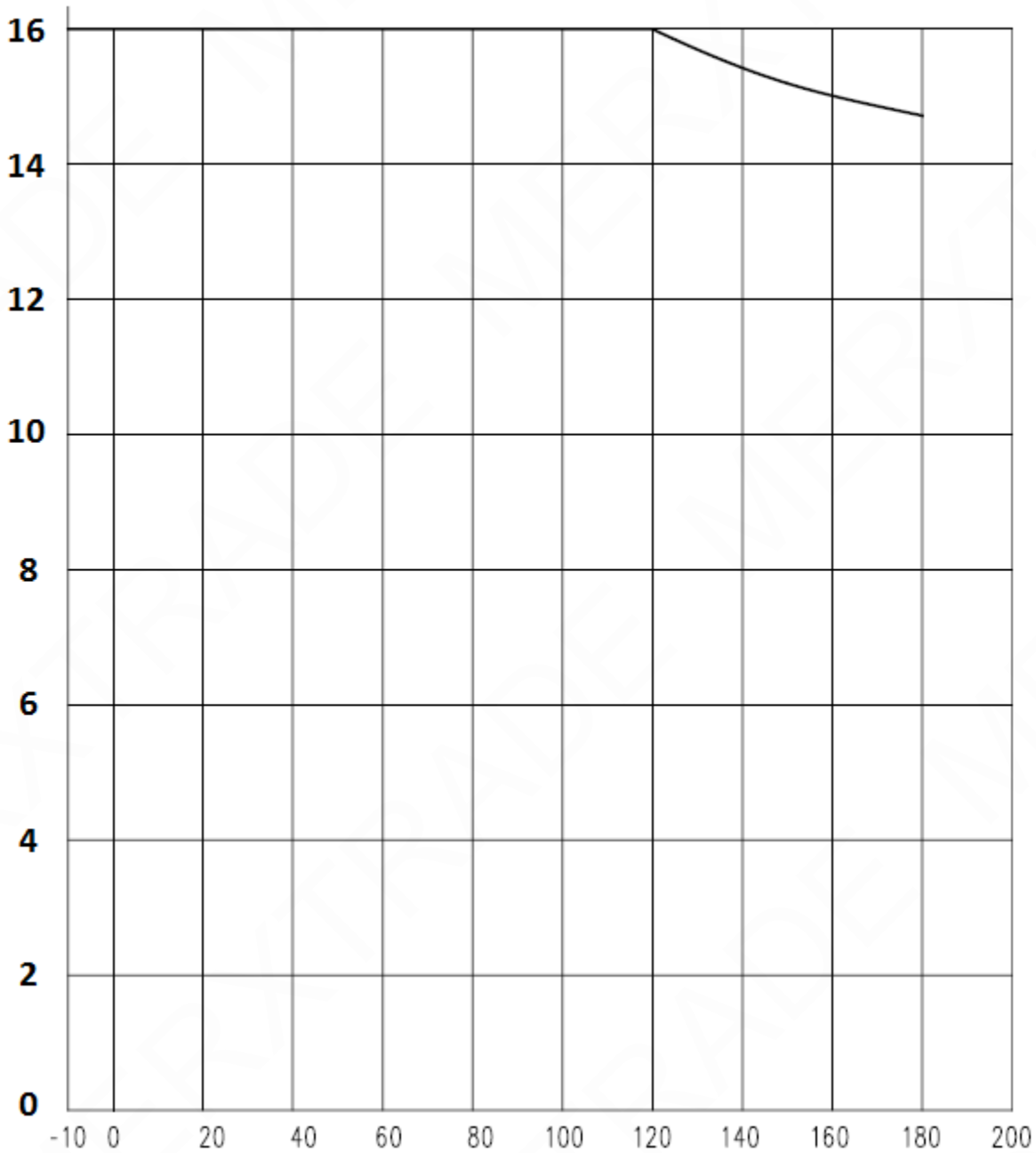
HEADLOSS GRAPH:



DUCTILE IRON GATE VALVE FLANGED PN16 DIN3202-1 F4 STAINLESS STEEL SEAT

PRESSURE / TEMPERATURE GRAPH (STEAM EXCLUDED) :

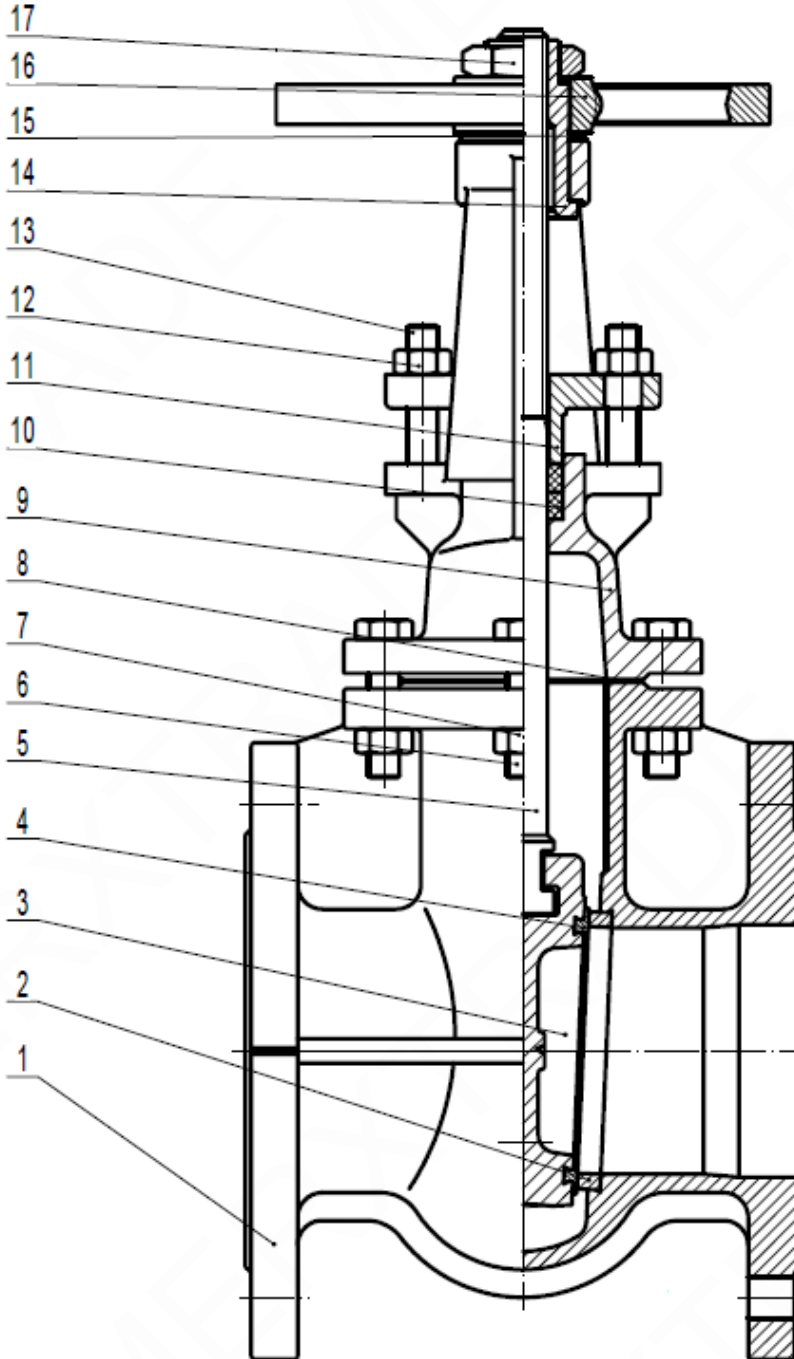
Pressure (Bar)



Temperature (°C)

DUCTILE IRON GATE VALVE FLANGED PN16 DIN3202-1 F4 STAINLESS STEEL SEAT

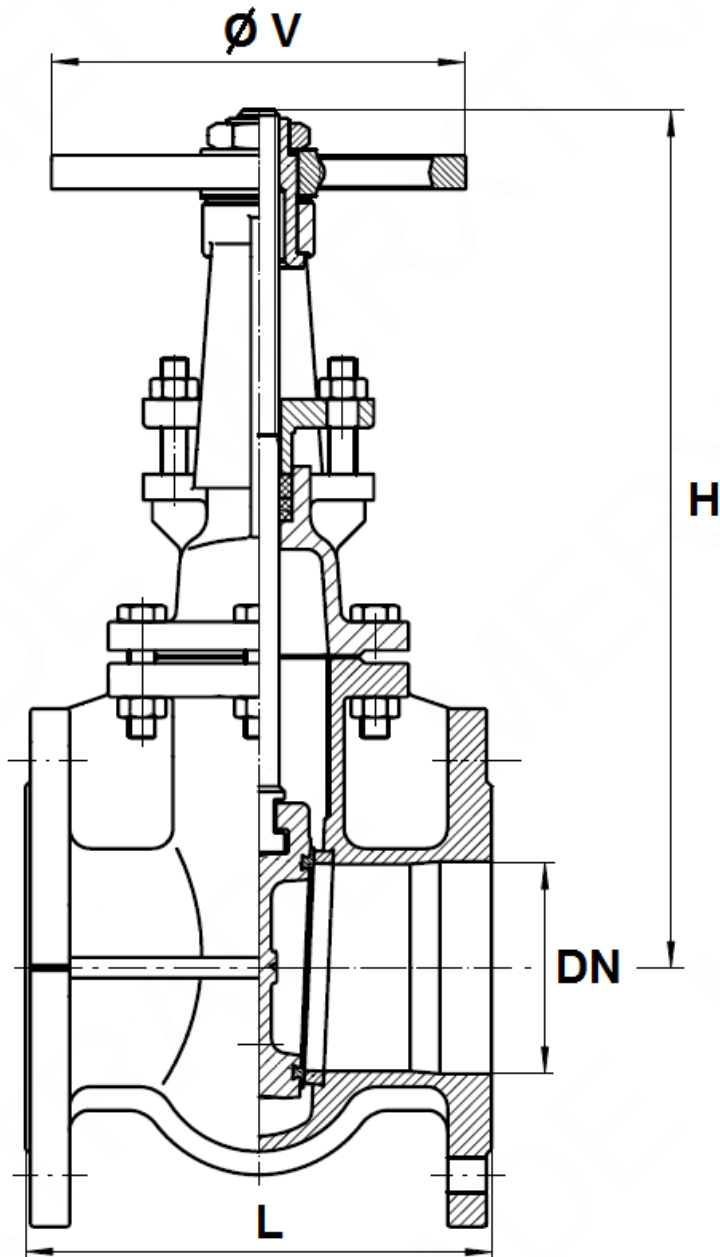
MATERIALS :



Item	Designation	Materials
1	Body	Ductile iron EN-GJS-500-7
2	Body seat	AISI 304
3	Wedge	Ductile iron EN-GJS-500-7
4	Wedge seat	AISI 304
5	Stem	AISI 420
6	Screw	Steel RSt37-2 (1.0038)
7	Nut	Steel RSt37-2 (1.0038)
8	Bonnet gasket	Graphite
9	Bonnet	Ductile iron EN-GJS-500-7
10	Packing	Graphite
11	Packing gland	Ductile iron EN-GJS-500-7
12	Nut	Steel RSt37-2 (1.0038)
13	Screw	Steel RSt37-2 (1.0038)
14	Stem nut	Brass
15	Washer	Brass
16	Handwheel	Cast iron EN GJL-250
17	Handwheel nut	Ductile iron EN GJS-500-7

DUCTILE IRON GATE VALVE FLANGED PN16 DIN3202-1 F4 STAINLESS STEEL SEAT

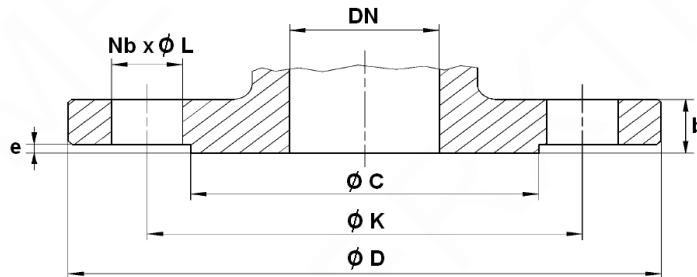
SIZE (in mm) :



DN	40	50	65	80	100	125	150	200	250	300
L	140	150	170	180	190	200	210	230	250	270
H (closed)	244	254	294	331	385	457	545	683	823	952
H (opened)	295	315	371	424	500	598	711	901	1093	1273
Ø V	160	160	160	160	200	200	250	250	320	320
Weight (Kg)	9.8	11.9	13.3	17.2	23.2	34.2	47	67.5	110	170

DUCTILE IRON GATE VALVE FLANGED PN16 DIN3202-1 F4 STAINLESS STEEL SEAT

FLANGES SIZE (in mm) :



PN	PN10/16							PN16		
DN	40	50	65	80	100	125	150	200	250	300
Ø C	80	102	124	140	158	188	212	268	320	378
Ø D	150	165	185	200	220	250	285	340	405	460
Ø K	110	125	145	160	180	210	240	295	355	410
Nb x Ø L	4 x 19	4 x 19	4 x 19	8 x 19	8 x 19	8 x 19	8 x 23	12 x 23	12 x 28	12 x 28
b	16	16	16	17	17	18	20	21	23	24
e	2	2	2	2	2	3	3	3	3	4

STANDARDS :

- Manufacturer certified ISO 9001 : 2015
- DIRECTIVE 2014/68/EU : CE N° 0038
Risk category III module H
- Certificate 3.1 on request
- Pressure tests according to EN 12266-1, leakage rate B
- Length according to EN 558 series 14 (DIN 3202-1 F4)
- Flanged R.F. according to EN 1092-2 PN16
- Design according to DIN 3352